

VacuFil Compact

Art. No.: 82 310



Applications

- High levels of smoke and particles
- Regular use
- Torch extraction
- Alternating work places

Benefits

- Stepless preselection of the extraction power for the use of various extraction torches
- Intuitive one-button operation, for use with gloves
- Outstanding price-performance ratio thanks to a wide range of additional features
- High extraction capacity by means of side channel blower
- Well suited for changing workplaces due to compact design

Technical Data

Filter	
Filter stages	1
Filter method	Storage Filter
Filter surface	6.7 m ²
Type of filter	Filter cartridge
Filter material	PE-M membrane
Filter efficiency	> 99.9 %
Dust classification	M
Basic data	
Max. extraction capacity	160 m ³ /h
Extraction performance at 18000 Pa	50 m ³ /h
Maximum vacuum	24000 Pa
Dimensions (w x t x h)	589 x 625 x 1191 mm
Weight	60 kg
Motor power	1.5 kW
Power supply	1 x 230 V / 50 Hz
Rated current	13 A
Additional information	
IFA-Certification	W3-Approved
Fan type	Side channel blower
Hose connection	Ø 45 mm
Air outlet	63 mm

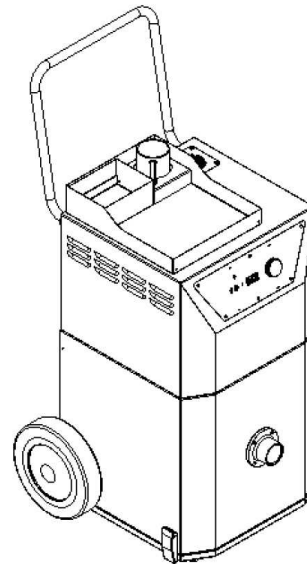
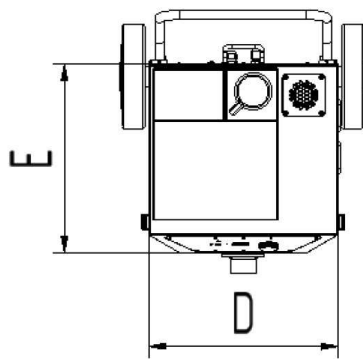
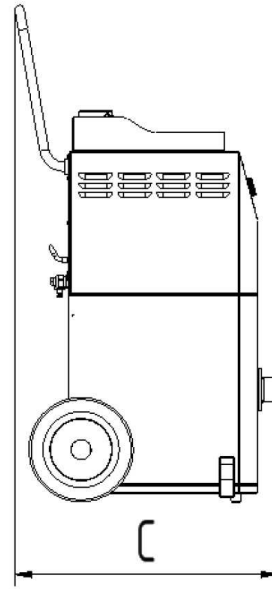
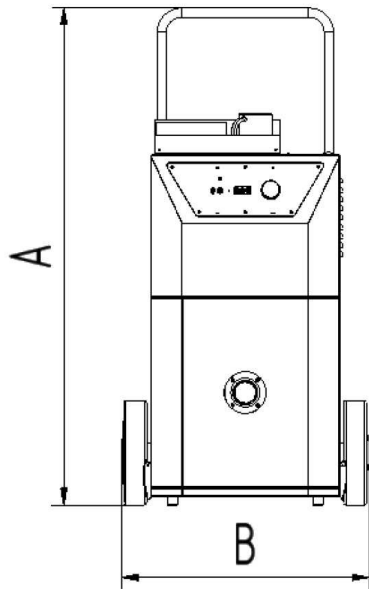
Properties

- Large filter surface
- Side channel blower
- KemTex PE-M Cartridge Filter
- Intuitive one-button operation
- Stepless air volume selection
- USB Type-A charging socket
- Compact design
- Monitoring of the extraction rate

Accessories

- Automatic start-stop
- Automatic air volume control
- Tool tray with cup holder
- Suction hose
- Slot and funnel nozzle
- Connector for welding torches





Technical Data

Dimensions

A	1191 mm
B	589 mm
C	625 mm
D	450 mm
E	450 mm