

SmartFil

Art. No.: 64 650 101



Technical Data

| Filter | |
|------------------------|---|
| Filter stages | 2 |
| Filter method | Storage Filter |
| Filter surface | 25 m ² |
| Type of filter | Safe Change Filter |
| Filter material | Cellulose with polyester nanofibre fleece |
| Filter efficiency | > 99,5 % |
| Filter class | E12 |
| Additional filters | Pre-filter (aluminium) |
| Basic data | |
| Extraction capacity | 1100 m ³ /h |
| Weight | 131 kg |
| Motor power | 1.5 kW |
| Power supply | 3 x 400 V / 50 Hz |
| Rated current | 3.1 A |
| Control voltage | 24 V, DC |
| Noise level | 70 dB(A) |
| Additional information | |
| IFA-Certification | W3-Approved |
| Fan type | Radial fan |
| Exhaust arm type | flexible exhaust arm |
| Length of exhaust arm | 3 m |

Applications

- Suitable for all materials, including high-alloy steel
- Medium levels of smoke and dust
- Frequent use
- Alternating work places

Benefits

- Exhaust arm requires less adjustment due to flow-optimised exhaust hood design
- Increased safety due to filter monitoring
- Increased safety with safe filter change
- Very economic due to long lasting high capacity filters

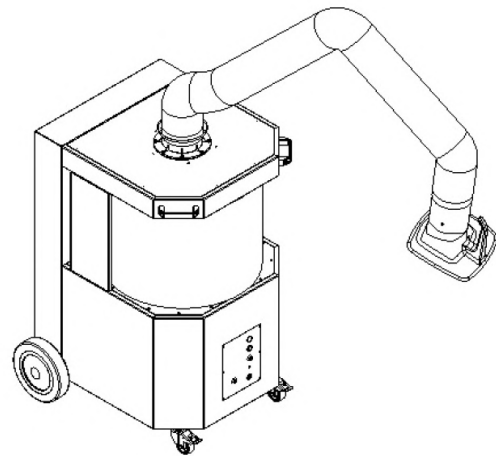
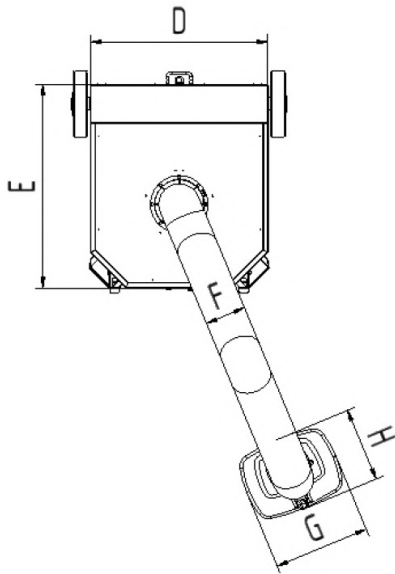
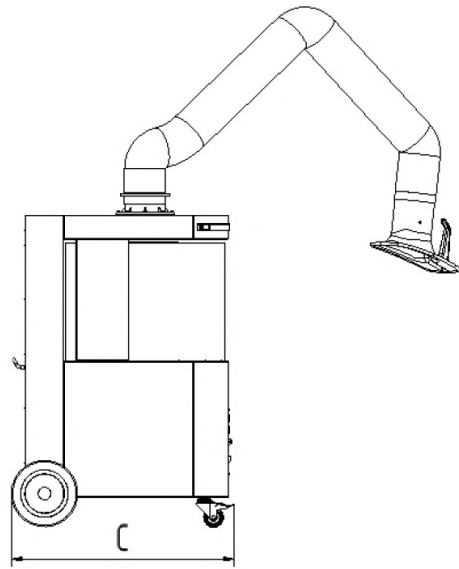
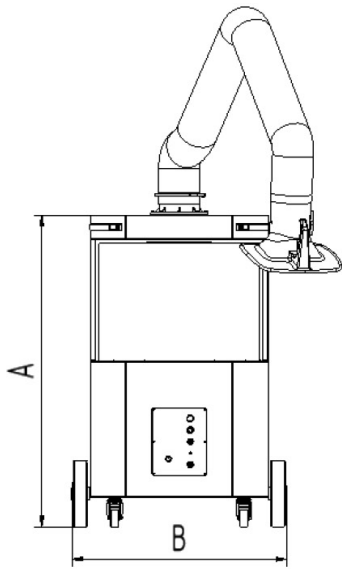
Properties

- 360 degrees rotating exhaust hood with damper
- 25m² filter surface
- Compact and solid design
- W3/IFA certified
- Exhaust arm 3 m

Accessories

- Automatic start-stop
- Workplace lighting incl. on/off switch at the hood





Technical Data

Dimensions

| | |
|---|---------|
| A | 1169 mm |
| B | 795 mm |
| C | 836 mm |
| D | 667 mm |
| E | 764 mm |
| F | 150 mm |
| G | 360 mm |
| H | 295 mm |